

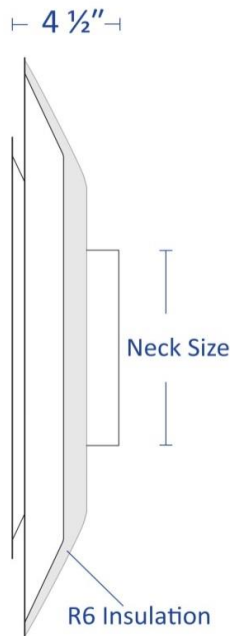
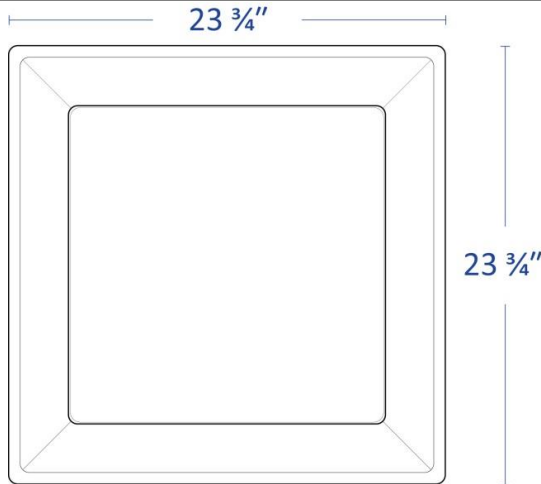
Submitted by: _____

Date: _____

Plaque Diffuser

T-Bar Lay-in

Model:



Available Options

- Butterfly Damper
- Insulated Steel Back w/ Collar
- Molded R6 Insulation
- Radial Damper
- Aluminum

Model Features

- Single plate design
- 360 deg. air diffusion pattern
- 24 gauge steel or aluminum
- 2" 22 gauge collar
- Seismic support tab
- Durable white powder coat finish

Material: Steel | Aluminum

Face: Single Plate

Model Size:

Project Name: _____

Architect: _____

Project Location: _____

Engineer: _____

Contractor: _____