

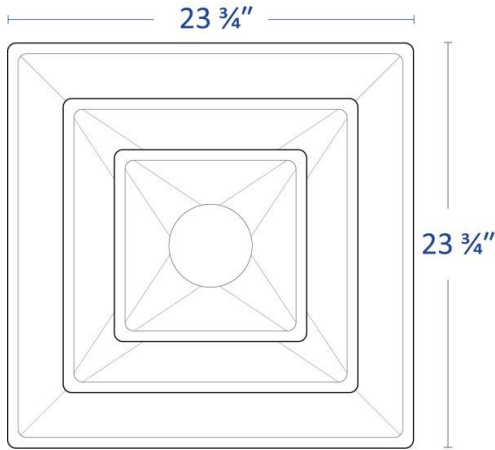
Submitted by: \_\_\_\_\_

Date: \_\_\_\_\_

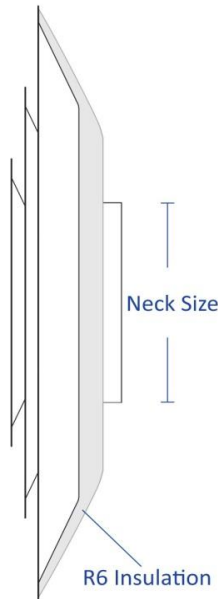
Step-Down Diffuser

T-Bar Lay-in

**Model:**



4 3/4"



**Available Options**

- Butterfly Damper
- Insulated Steel Back w/ Collar
- Molded R6 Insulation
- Radial Damper
- Aluminum

**Model Features**

- 2-cone step-down diffusers
- 24 gauge steel or aluminum
- 2" 22 gauge collar
- Seismic support tab
- Durable white powder coat finish

**Material:** Steel | Aluminum

**Face:** Step-down

**Model Size:**

Project Name: \_\_\_\_\_

Architect: \_\_\_\_\_

Project Location: \_\_\_\_\_

Engineer: \_\_\_\_\_

Contractor: \_\_\_\_\_