

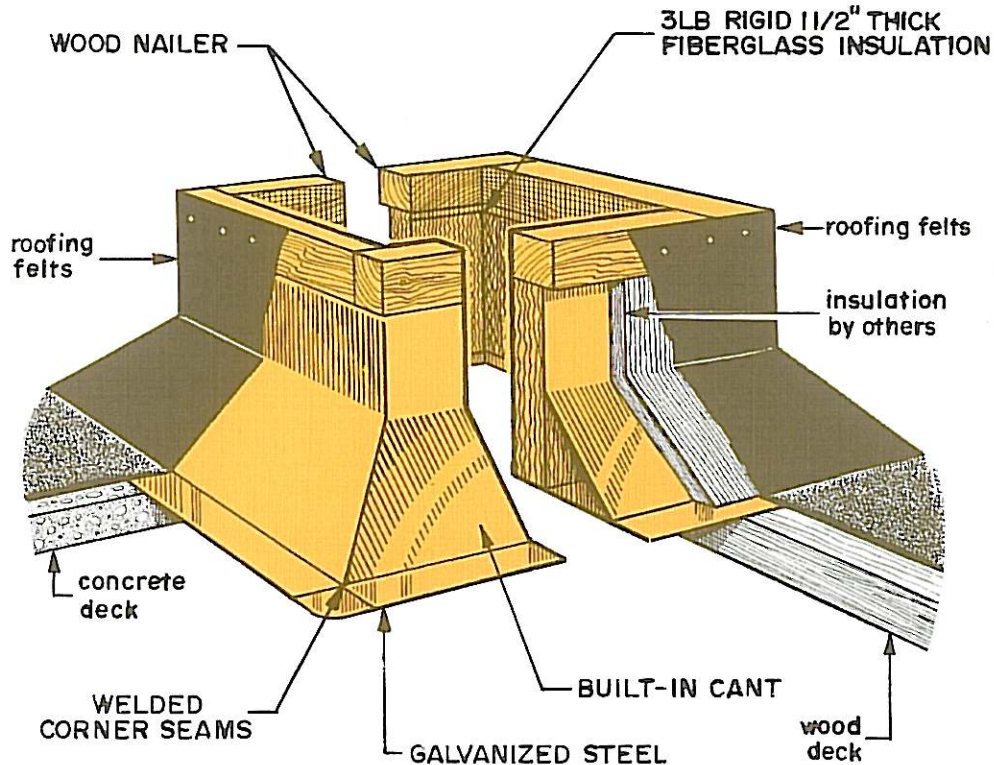


RPS-ROOF CURBS
RC-3A & B SURFACE MOUNT STYLE
FOR UN-INSULATED WOOD OR CONCRETE DECKS

SPECIFY RPS FOR ALL ROOF OPENINGS

CUSTOM FABRICATED . . . to fit all manufacturers' skylights, power roof exhausters, intake and relief vents, smoke hatches, flues, or job fabricated items, . . . Provides uniform curb construction, method, and quality, with water-tight design . . . Simple to detail . . . Convenient to contractors . . . Minimum architectural supervision . . . Low known cost.

- **WOOD NAILERS** . . . The sure way of attaching roof felts . . . eliminating felts from slipping, sagging or buckling. . . . Helps eliminate vibration hum.
- **INSULATION** . . . 3# density rigid fiberglass board . . . built-in where it can't be omitted . . . provides condensation free openings. . . Has sound absorption qualities.
- **WELDED CORNERS** . . . Continuous welded corners . . . monolithic construction . . . designed to meet all weight requirements.
- **GALVANIZED STEEL** . . . Provides maximum strength with minimum expansion and contraction.
- **OPTIONAL FEATURES** . . . Other heights . . . Roof pitch requirements . . . Built-in burglar bars . . . Extended base plate for damper installation . . . Heavier gauges . . . Liners . . . Aluminum construction . . . Neoprene gasket.
- **SPECIAL APPLICATIONS** . . . Refer to following Tab Section.



SPECIFICATIONS

Furnish and install prefabricated roof curbs as manufactured by ROOF PRODUCTS & SYSTEMS CORPORATION at all roof openings as specified on drawings.

Curbs shall be of Box Section Design, 18 ga. galvanized steel with continuous welded corner seams, factory installed wood nailer and shall be insulated with 1½", 3 lb. density rigid fiberglass board. (Treated lumber available)

*On concrete or wood decks without insulation use RPS Model RC-3A with built-in cant extended to full mitered corners. *Standard height 8" unless otherwise specified on drawings. Use RPS Model RC-3B if, additional job installed, exterior insulation is desired.*

Burglar bars, other heights, roof pitch, liners, and other options shall be furnished where detailed and/or specified in accordance with ROOF PRODUCTS & SYSTEMS CORPORATION details.

ROOF CURBS

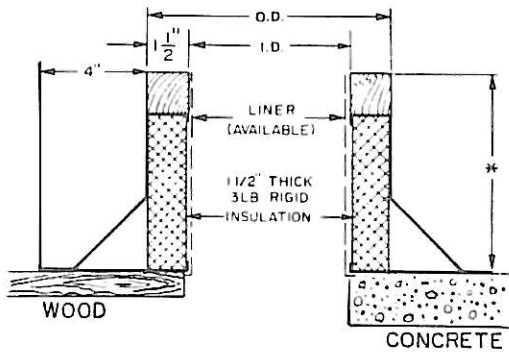
RC-3A & B SURFACE MOUNT STYLE

P.O. No. _____
 CUSTOMER _____
 PROJECT _____
 LOCATION _____
 ARCHITECT _____

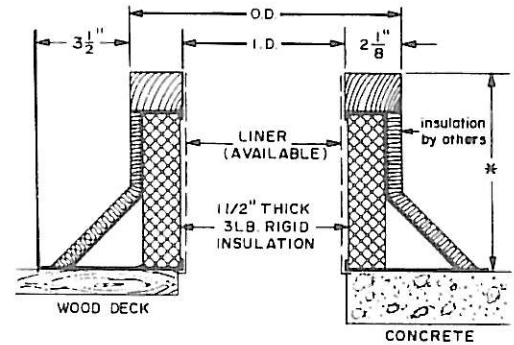
STANDARD CONSTRUCTION

- 18 GAUGE GALVANIZED STEEL
- 1 1/2" 3LB DENSITY FIBER GLASS INSULATION
- WOOD NAILER { A-STYLE FLUSH
 B-STYLE _____ OVERHANG
- UNITIZED CONSTRUCTION
- BUILT-IN RAISED CANT, ON RC-4 STYLE

NOTE: STANDARD LUMBER OVERHANG 1/2"
 UNLESS OTHERWISE SPECIFIED



RC-3A STYLE



RC-3B STYLE

*NOTE: STANDARD OVERALL HEIGHT 8" UNLESS SPECIFICALLY SHOWN BELOW.

PROJECT REQUIREMENTS

QTY.	STYLE	ACTUAL		* OVERALL HEIGHT	NAILER OVERHANG B-STYLE	PITCH REQUIREMENTS	
		O.D.	I.D.			LONG SIDE	SHORT SIDE

ROOF PRODUCTS & SYSTEMS CORP. }
 BENSENVILLE, ILLINOIS }
 REPRESENTED BY }