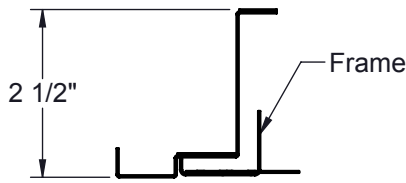
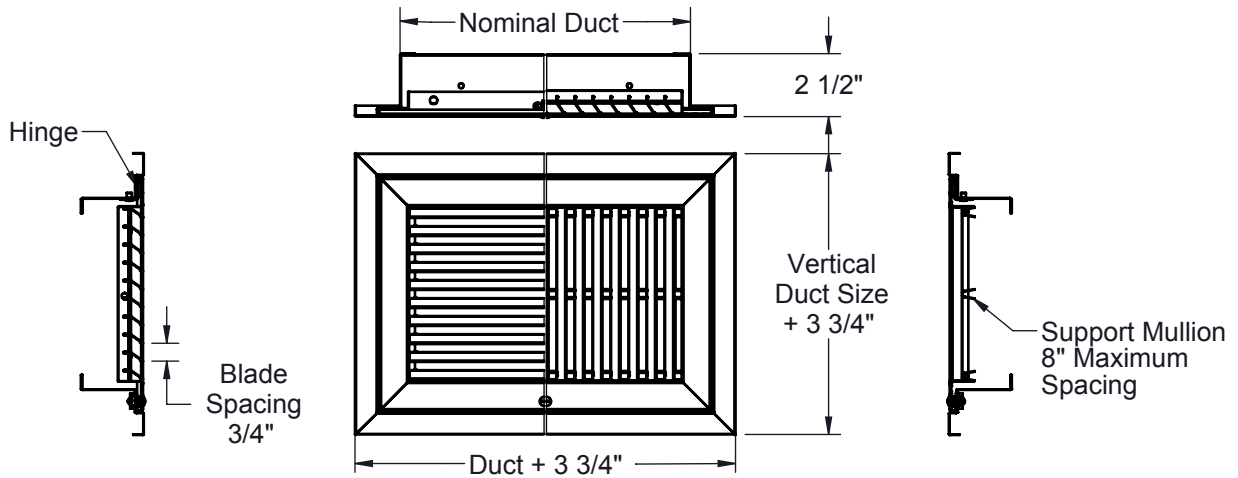
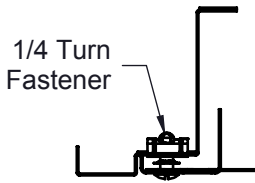


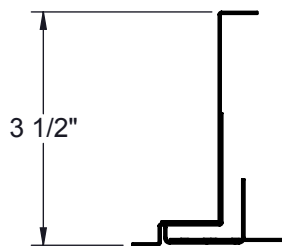
- Model T70FB: horizontal bars, 0° fixed deflection
- Model T70DFB: horizontal bars, 35° fixed deflection
- Model T80FB: vertical bars, 0° fixed deflection
- Model T80DFB: vertical bars, 35° fixed deflection
- Face bars spaced on 3/4" centers
- 1" filter frame standard; optional 2" available (filters furnished by others)
- Steel construction with hinges for removable face
- Standard finish is white



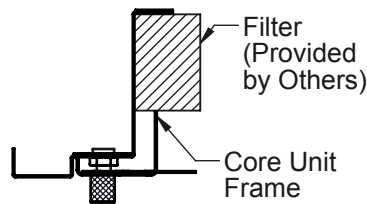
1" FILTER FRAME



1/4 TURN FASTENER



2" FILTER FRAME



KNURLED KNOB FASTENER

Models

- T70FB
- T70DFB
- T80FB
- T80DFB

Hinge Options

- Top
- Bottom
- Left
- Right
- None

Finishes

- WH - White
- AP - Aluminum Paint
- OW - Off-White
- FB - Flat Black
- MP - Match Paint

Dimensions in inches

Job: _____	Tag: _____	T70FB/DFB & T80FB/DFB Return Grille with Filter Frame 3/4" Bar Spacing, Steel
Location: _____	Submitted By: _____	
Architect: _____		
Engineer: _____		
Contractor: _____	SD - 1766	Rev: A (03/11)