

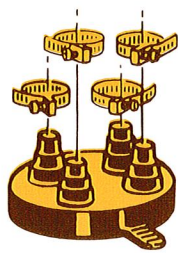


## RPS-ALUMI-FLASH™ PIPE FLASHING FOR ALL ROOF SYSTEMS

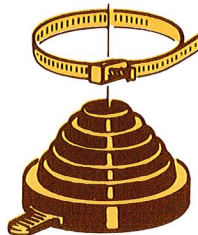
### AN ECONOMICAL SELF FLASHING PIPE SEAL FOR ROUTING PIPES THRU THE ROOF

The RPS Alumi-Flash works with all roof systems and makes pitch pans obsolete. Due to the flexibility of the EPDM rubber caps, roof leaks are eliminated because penetrations are allowed to expand, contract and vibrate independent of the vapor barrier. There are five (5) caps available which accommodate a variety of pipes, tubes and angle irons from 3/8" through 12". The caps are molded Ethelene Propolene Diene Monomer (EPDM) rubber. EPDM is a hydrocarbon rubber which is compounded to resist degradation due to oxidation or exposure to ozone and ultraviolet rays, while having a serviceable temperature range of -60 °F to +270 °F. The caps are mechanically sealed to the Alumi-Flash base with a double "Weather Tite Pressure Seal", which consists of two (2) beads formed into the collar that mate with the double grooves on the inside of the caps. The base must be roofed in, using good roofing practices. Together, the cap and base provide a permanent, watertight and maintenance free means for penetrating roofs that is simple and easy to install.

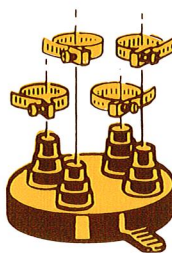
#### EPDM RUBBER CAPS WITH STAINLESS STEEL CLAMPS



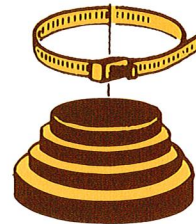
N-18  
4 - 3/8" to 1" pipes



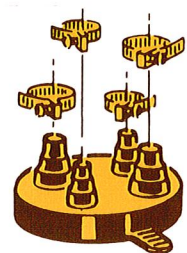
N-62  
1 - 2" to 6" pipes



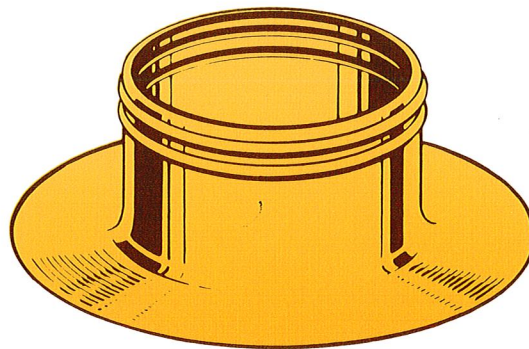
N-21  
4 - 1" to 2" pipes



N-182  
1 - 8" to 12" Pipe



N-28  
2 - 3/8" to 1" pipes  
2 - 1" to 2" pipes



#### SPECIFICATIONS

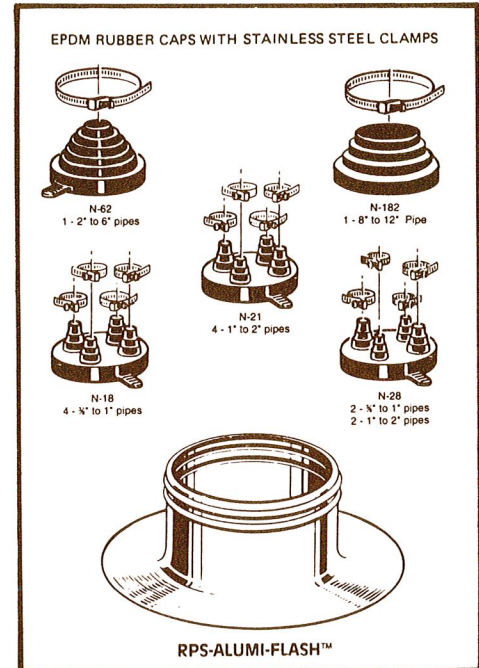
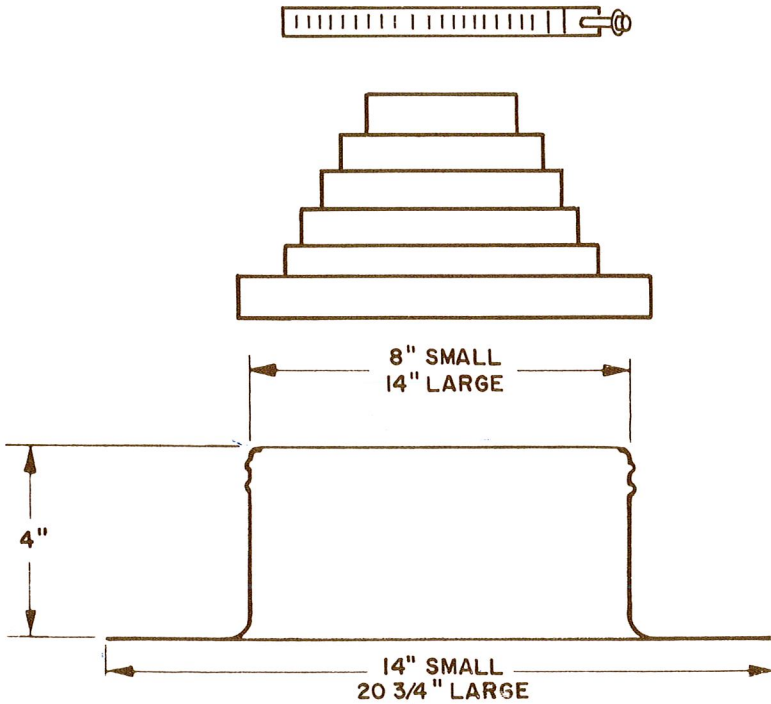
Furnish and install the RPS Alumi-Flash as manufactured by ROOF PRODUCTS & SYSTEMS CORPORATION, Bensenville, IL at all points where 12" or less pipes are penetrating roofs. The Alumi-Flash shall include .060 spun aluminum base flange with a height of 4" and a base diameter of 14" or 20-3/4". The collared opening shall have two beaded sealing rings roll formed into the base, and an EPDM (Ethelene Propolene Diene Monomer) compression molded rubber cap (N18 cap for use with four 3/8" thru 1" pipes), (N21 cap for four 1" thru 2" pipes), (N28 cap for use with two 3/8" thru 1" pipes and two 1" thru 2" pipes), (N62 cap for use with one 2" thru 6" pipe) or (N182 cap for use with one 8" to 12" pipe). The N18, N21 & N28 caps shall include two pair of stainless steel clamps. The N62 and N182 caps shall include one large stainless steel clamp.

**ALUMI-FLASH™**  
 SELF FLASHING  
 SURFACE MOUNT STYLE

P.O. No. \_\_\_\_\_  
 CUSTOMER \_\_\_\_\_  
 \_\_\_\_\_  
 PROJECT \_\_\_\_\_  
 LOCATION \_\_\_\_\_  
 \_\_\_\_\_  
 ARCHITECT \_\_\_\_\_

**STANDARD CONSTRUCTION**

- .060 SPUN ALUMINUM BASE
- WEATHER TIGHT PRESSURED SEAL COLLARED OPENING
- EPDM MOLDED RUBBER CAP
- STAINLESS STEEL CLAMPS



**PROJECT REQUIREMENTS**

SIZE	N-28	N-18	N-21	N-62	N-182
ALUMI-FLASH SMALL					
ALUMI-FLASH LARGE					