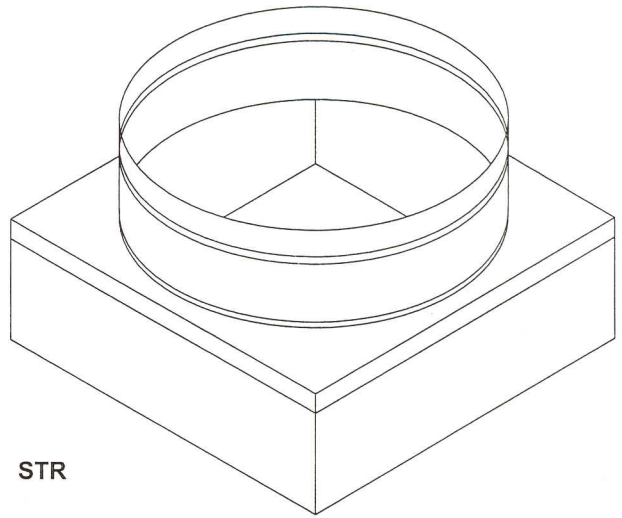
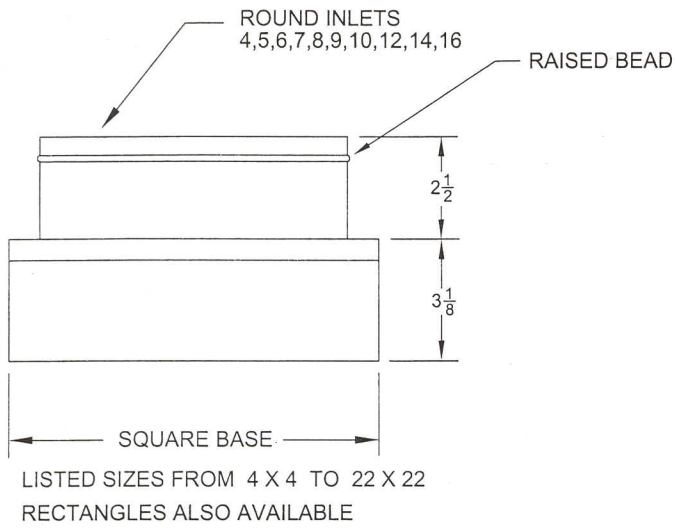


AIR DISTRIBUTION SUBMITTAL

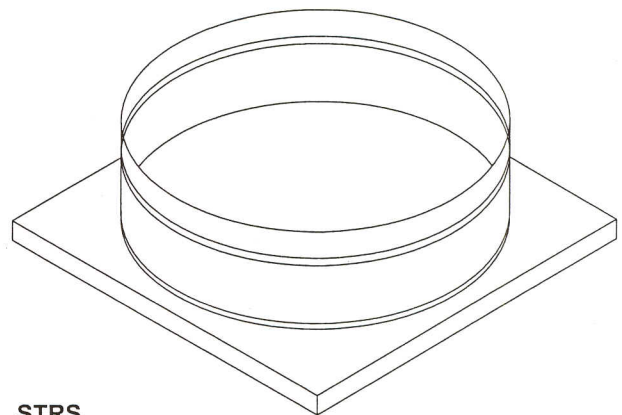


FEATURES

- 24 GAUGE GALVANNEALED STEEL CONSTRUCTION
- 2.5 INCH COLLAR WITH RAISED BEAD
- INTERIOR PAINTED FLAT BLACK

OPTIONS (SPECIFY)

- STR (3 1/8" BASE)
- STRS (SHORT 1/2" BASE)
- ___ SQUARE BASE DIMENSIONS
- ___ ROUND COLLAR SIZE



STANDARD INDUSTRY TOLERANCES APPLY. SPECIFICATIONS ARE SUBJECT TO CHANGE WITHOUT NOTICE.

JOB NAME: _____
 LOCATION: _____
 ARCHITECT: _____
 ENGINEER: _____
 CONTRACTOR: _____

MODEL STR, STRS SQUARE TO ROUND TRANSITIONS

DRAWN BY
RBJ

DATE
1-28-04

DWG. NO.
STR

P.O. BOX 250
 ALBION, IOWA 50005
 PH. (641) 488-2211 FAX (641) 488-2796
 www.raymon-hvac.com



RAYMON
DONCO AIR DISTRIBUTION EQUIPMENT