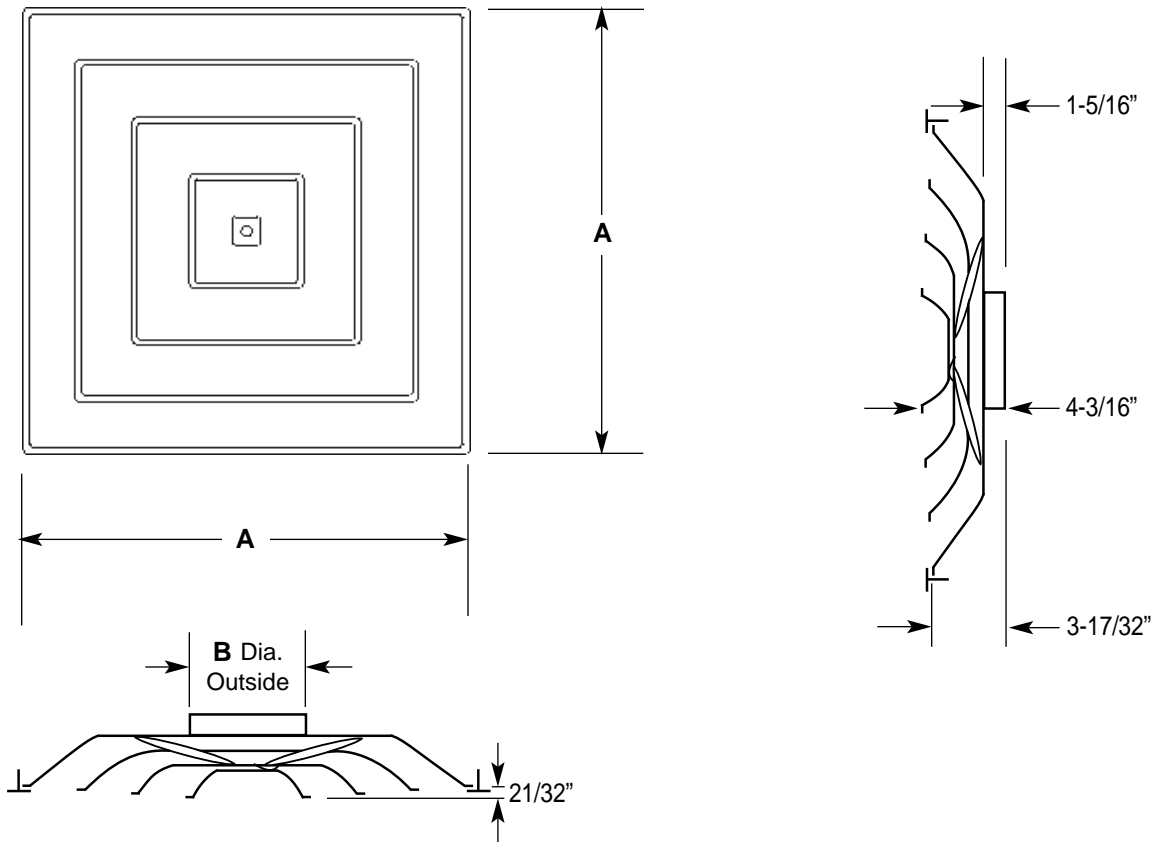


Imperial [IP] Dimensions  
Metric (SI) in Parentheses

CARNES COMPANY 448 S. Main St., P. O. Box 930040, Verona, WI 53593-0040 Phone: (608)845-6411 Fax: (608)845-6504 www.carnes.com



Model Number	Nominal Duct Size (Dia. In.)	A	B
SFAB/SFTB 2406	6 (152)	23-3/4 (603)	5-7/8 (149)
SFAB/SFTB 2407	7 (178)	23-3/4 (603)	6-7/8 (175)
SFAB/SFTB 2408	8 (203)	23-3/4 (603)	7-7/8 (200)
SFAB/SFTB 2410	10 (254)	23-3/4 (603)	9-7/8 (251)
SFAB/SFTB 2412	12 (305)	23-3/4 (603)	11-7/8 (302)
SFAB/SFTB 2414	14 (356)	23-3/4 (603)	13-7/8 (352)
SFAB/SFTB 2416	16 (406)	23-3/4 (603)	15-7/8 (403)

#### NOTES:

1. The inner assembly is easily removable by disengaging the spring lock and rotating counter clockwise.
2. To gain access for damper adjustment, remove the plug button on the center cone.
3. To surface mount this diffuser, use Carnes Model KXFA Auxiliary Frame.
4. Standard finish is #11 Bright White Electrocoat Enamel. Other finishes available upon request.
5. Metric (SI) dimensions are given in millimeters.
6. Construction of model SFTB is steel.
7. Construction of model SFAB is aluminum.