

Elbows

12



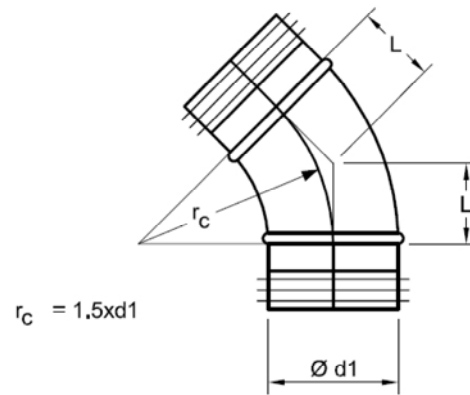
Description

- 45° elbow
- die stamped
- continuously stitch welded
- rolled edges

Ordering Example

Gasketed, G-3	Type	$\frac{\emptyset d_1}{aa}$
	BSG 45	
Ungasketed, G-0	Type	$\frac{\emptyset d_1}{aa}$
	BS 45	

BSG 45



$\emptyset d_1$ (in)	L (in)	Weight (lb)
3	1 ^{3/4}	0.3
4	2 ^{1/2}	0.5
5	3 ^{1/8}	0.6
6	3 ^{3/4}	0.9
7	4 ^{3/8}	1.1
8	5	1.7
9	5 ^{1/8}	2.8
10	5 ^{3/4}	3.4
11*	6 ^{3/8}	4.1
12	7	4.7

*fabricated construction