

Reducers

22



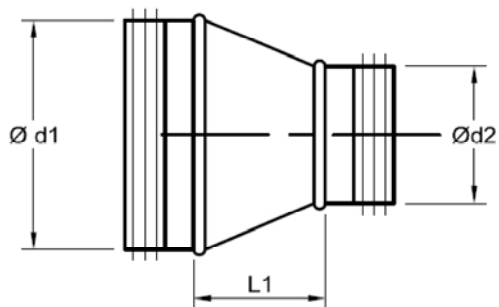
Description

- fabricated concentric reducer

Ordering Example

Gasketed, G-3	<u>Type</u>	$\frac{\varnothing d_1}{aa}$	$\frac{\varnothing d_2}{aa}$
	RCLG	aa	aa

Ungasketed, G-0	<u>Type</u>	$\frac{\varnothing d_1}{aa}$	$\frac{\varnothing d_2}{aa}$
	RCL	aa	aa



RCLG/RLG



Description

- fabricated eccentric reducer

Ordering Example

Gasketed, G-3	<u>Type</u>	$\frac{\varnothing d_1}{aa}$	$\frac{\varnothing d_2}{aa}$
	RLG	aa	aa

Ungasketed, G-0	<u>Type</u>	$\frac{\varnothing d_1}{aa}$	$\frac{\varnothing d_2}{aa}$
	RL	aa	aa

