

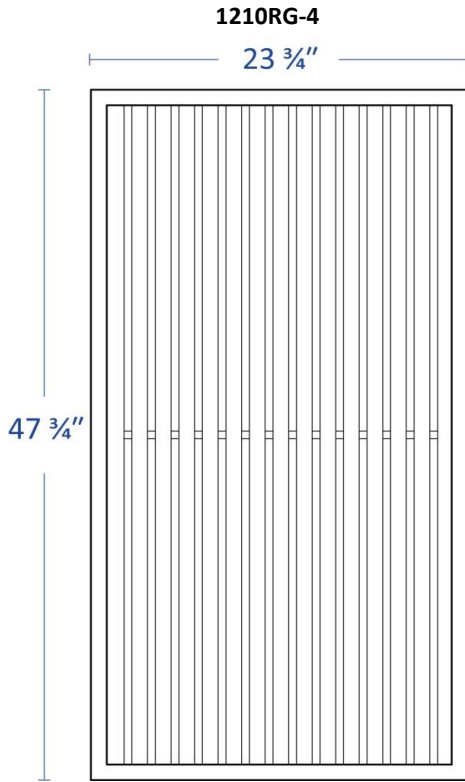
Submitted by: \_\_\_\_\_

Date: \_\_\_\_\_

Fixed Bar Panel

Return Air Grille

**Model:**



**Available Options**

- Aluminum T-bar panel
- Steel T-bar panel
- Molded R6 Insulation

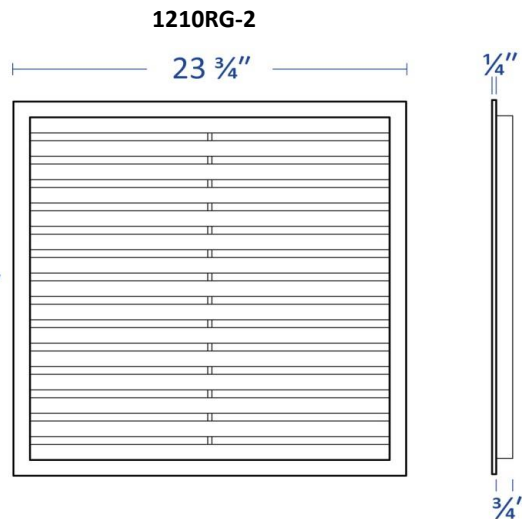
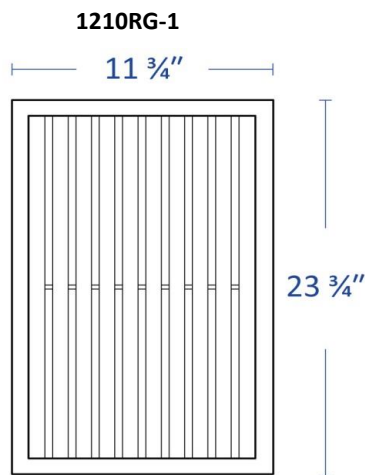
**Material:** Steel or Aluminum

**Face:** Fixed Bar

**Model Size:**

**Model Features**

- Fixed Bar Panel
- Durable white powder-coat



Project Name: \_\_\_\_\_

Architect: \_\_\_\_\_

Project Location: \_\_\_\_\_

Engineer: \_\_\_\_\_

Contractor: \_\_\_\_\_