



POLYKEN® 337
Premium Grade Aluminum Foil Tape

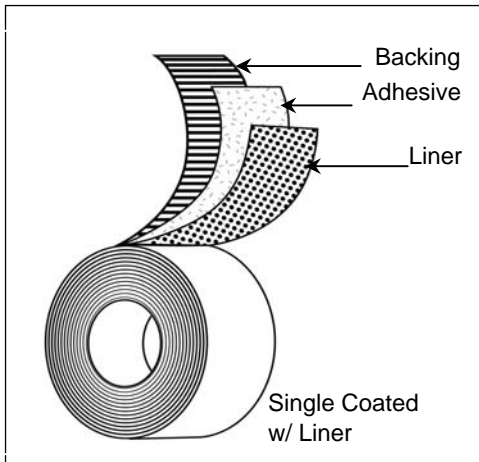
APPLICATIONS

- Designed for taping joints and seams against moisture and vapor on foil jacketed insulation.
- May be used for general repair and maintenance.
- Seal duct work for heating, A/C, and refrigeration systems.

FEATURES & BENEFITS

- High adhesion and quick stick.
- Extremely conformable foil backing.
- Matches aluminum foil-faced duct systems and insulation.
- For use over a wide temperature range.
- Tested in accordance with UL 723.

CONSTRUCTION



PRODUCT DESCRIPTION

Single-Coated w/Liner Construction

Backing:

- 1.75 mil Aluminum Foil

Adhesive:

- Synthetic Rubber

Liner:

- Paper

Colors:

- Aluminum

TEST DATA

Test	Typical Value	Typical Value (Metric)	Test Method
Total Thickness	3.7 mils	93.98 μ	ASTM D-1000
Adhesion to Steel	100 oz./in.	10.95 N/cm	PSTC-1
Adhesion to Backing	90 oz./in.	9.85 N/cm	PSTC-1
Tensile Strength	14 lb./in.	24.52 N/cm	ASTM D-1000
Probe Tack	1000g		
Maximum Performance Temperature	200F		
Flame Spread	5		
Smoke Development	10		

**Recommended storage conditions: 40-60% Humidity, 60°F-80°F

The information presented herein was prepared at BERRY PLASTICS CORPORATION (25 Forge Parkway Franklin, MA 02038) by qualified technical personnel. Berry's knowledge it is true and accurate. However, the information and recommendations are furnished for these products with the understanding that the purchaser or user, as the case may be, will independently determine that the product is suitable for the intended use, and that such use complies with all applicable federal, state and local laws and regulations. The data are submitted only for the user's information and consideration, and do not constitute a warranty of any kind (including but not limited to a warranty of merchantability or of fitness for a particular purpose), or a representation for which BERRY PLASTICS assumes any liability.