



# Equipment Rails

Technical Product Information

## ER-2A & ER-2B Styles

P.O. NUMBER \_\_\_\_\_

CUSTOMER \_\_\_\_\_

PROJECT \_\_\_\_\_

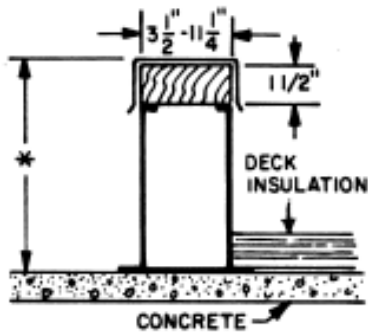
LOCATION \_\_\_\_\_

ARCHITECT \_\_\_\_\_

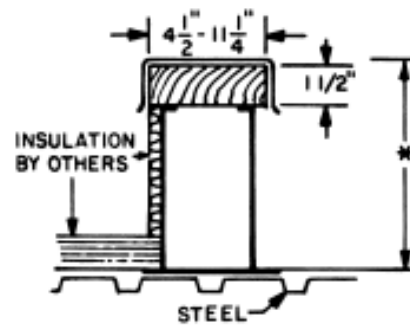
### STANDARD CONSTRUCTION

- 18 GAUGE GALVANIZED STEEL
- GALVANIZED CAP FLASHING
- WOOD NAILER
- "A" STYLE FLUSH
- "B" STYLE \_\_\_\_\_ OVERHANG
- UNITIZED CONSTRUCTION
- INTERNAL REINFORCEMENT
- CONTINUOUS WELDED CORNER SEAMS

NOTE: STANDARD LUMBER OVERHANG 1/2"  
UNLESS SPECIFIED OTHERWISE



ER-2A STYLE



ER-2B STYLE

\* NOTE: STANDARD OVERALL HEIGHT 11" UNLESS SPECIFICALLY SHOWN BELOW

### PROJECT REQUIREMENTS

QTY.	STYLE	LENGTH	WIDTH	* OVERALL HEIGHT	"B" STYLE NAILER OVERHANG	PITCH REQUIREMENTS		TAG
						LONG SIDE	SHORT SIDE	