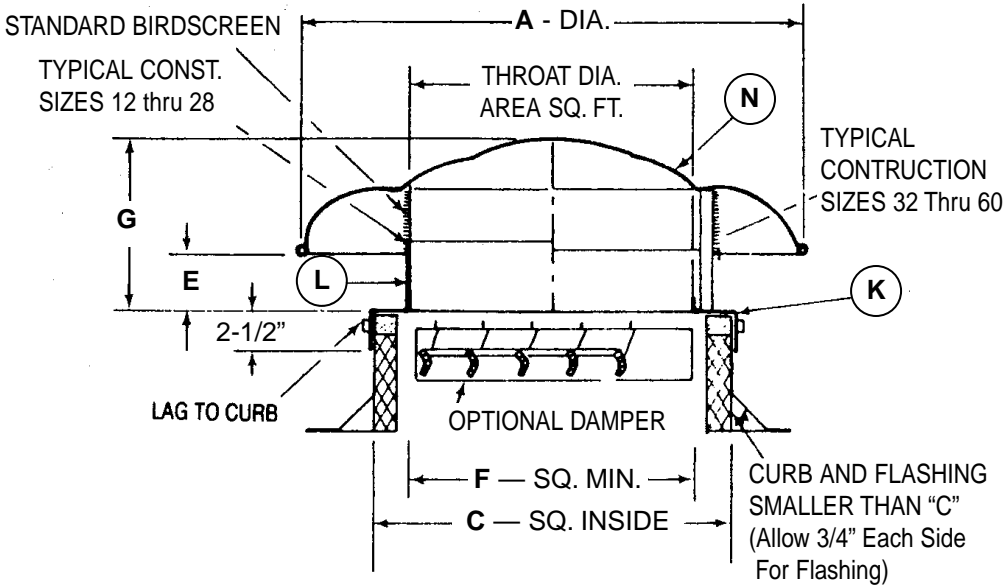


Imperial [IP] Dimensions
Metric (SI) on Reverse

CARNES COMPANY, 448 S. Main St., P. O. Box 930040, Verona, WI 53593-0040 Phone (608) 845.6411 Fax: (608) 845.6470 carnes@carnes.com



STANDARD FEATURES:

- Galvanized Birdscreen
- Heavy Gauge Spun Aluminum Hood
- Welded Curb Cap

OPTIONAL FEATURES:

- Anti-Condensate Coating
- Air Dry Enamel
- ARC Epoxy Finish
- Air Dry Heresite
- Prime Coat
- Roof Curbs
- Backdraft Damper
- Insect Screen
- Aluminum Bird Screen

DIMENSIONS LISTED IN INCHES

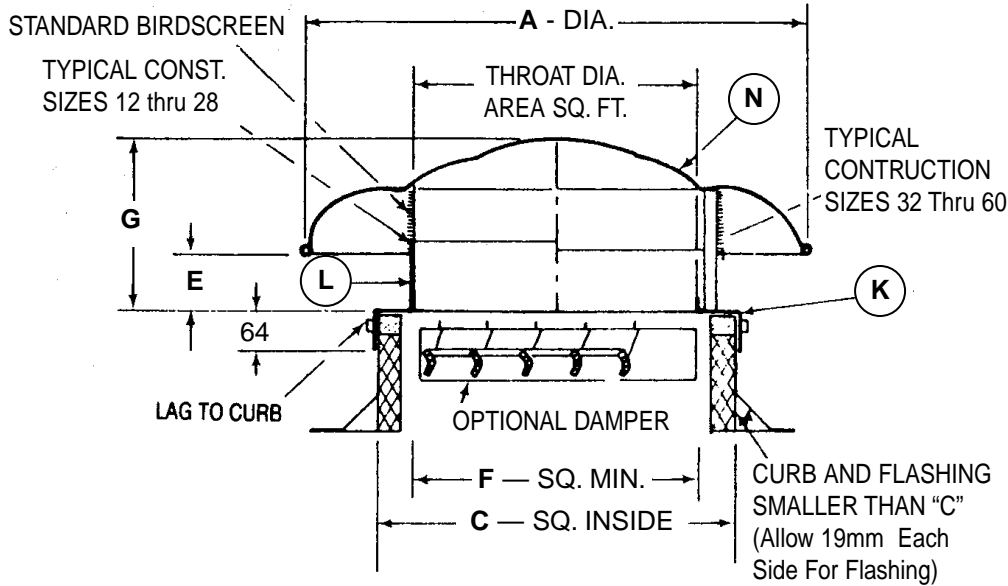
GSAA Size	A	C	E	F	G	Throat Area		Inlet Area Sq. Ft.	Mat'l Thickness Alum			Curb O.D. Sq.	Damper Nom. Sq.
						Dia.	Sq. Ft.		K	L	M		
12	21-3/4	20-1/2	3-1/2	16	8-7/8	13-1/4	.96	1.62	.051	.032	.051	19	15
16	25-3/4	25	3	20	10-1/4	16-1/4	1.44	2.23	.064	.032	.064	23-1/2	19
22	33-1/8	28-1/2	4-1/4	24	12-1/4	22	2.64	3.34	.080	.032	.064	27	23
28	42-1/4	37	3-1/2	32	13-5/8	28-3/4	4.51	5.23	.080	.032	.064	35-1/2	31
32	50-1/4	43	5	38	18-3/8	32	5.58	8.19	.080	.032	.064	41-1/2	37
38	57-1/2	49	6-1/2	44	21-1/8	38	7.87	10.16	.080	.032	.064	47-1/2	43
46	68-1/4	57	6-7/8	52	25-1/2	46	11.54	13.86	.080	.032	.064	55-1/2	51
52	78-1/2	57	10-1/2	52	30-1/4	52	14.75	18.86	.080	.032	.064	55-1/2	51
60	84-3/4	67	12-1/2	62	32-1/4	60	19.64	19.64	.102	.032	.064	65-1/2	61

LOCATION/ MARK	QUANTITY	MODEL	CFM	SP	ACCESSORIES

NOTES:

PROJECT:			ARCHITECT:		
CONTRACTOR:	DATE:	SUBMITTED BY:	ENGINEER		

CARNES COMPANY, 448 S. Main St., P. O. Box 930040, Verona, WI 53593-0040 Phone (608) 845.6411 Fax: (608) 845.6470 carnes@carnes.com



STANDARD FEATURES:

- Galvanized Birdscreen
- Heavy Gauge Spun Aluminum Hood
- Welded Curb Cap

OPTIONAL FEATURES:

- Anti-Condensate Coating
- Air Dry Enamel
- ARC Epoxy Finish
- Air Dry Heresite
- Prime Coat
- Roof Curbs
- Backdraft Damper
- Insect Screen
- Aluminum Bird Screen

DIMENSIONS LISTED IN MILLIMETERS

GSAA Size	A	C	E	F	G	Throat Area		Inlet Area Sq. M	Mat'l Thickness Alum.			Curb O.D. Sq.	Damper Nom. Sq.
						Dia.	Sq. Ft.		K	L	M		
12	552	520	89	406	225	336	.089	.151	.051	.082	.051	482	381
16	654	635	76	508	260	412	.134	.207	.064	.032	.064	597	482
22	841	723	114	609	311	559	.245	.310	.080	.032	.064	685	584
28	1073	939	89	812	346	730	.419	.486	.080	.032	.064	901	1371
32	1275	1091	127	965	466	812	.518	.761	.080	.032	.064	1053	939
38	1460	1244	165	1117	536	965	.731	.944	.080	.032	.064	1206	1091
46	1732	1447	175	1320	647	1168	1.072	1.288	.080	.032	.064	1409	1295
52	1993	1447	266	1320	768	1320	1.370	1.752	.080	.032	.064	1409	1295
60	2151	1701	317	1523	819	1523	1.825	1.825	.102	.032	.064	1662	1548.

LOCATION/ MARK	QUANTITY	MODEL	CFM	SP	ACCESSORIES

NOTES:

PROJECT:			ARCHITECT:		
CONTRACTOR:	DATE:	SUBMITTED BY:	ENGINEER		