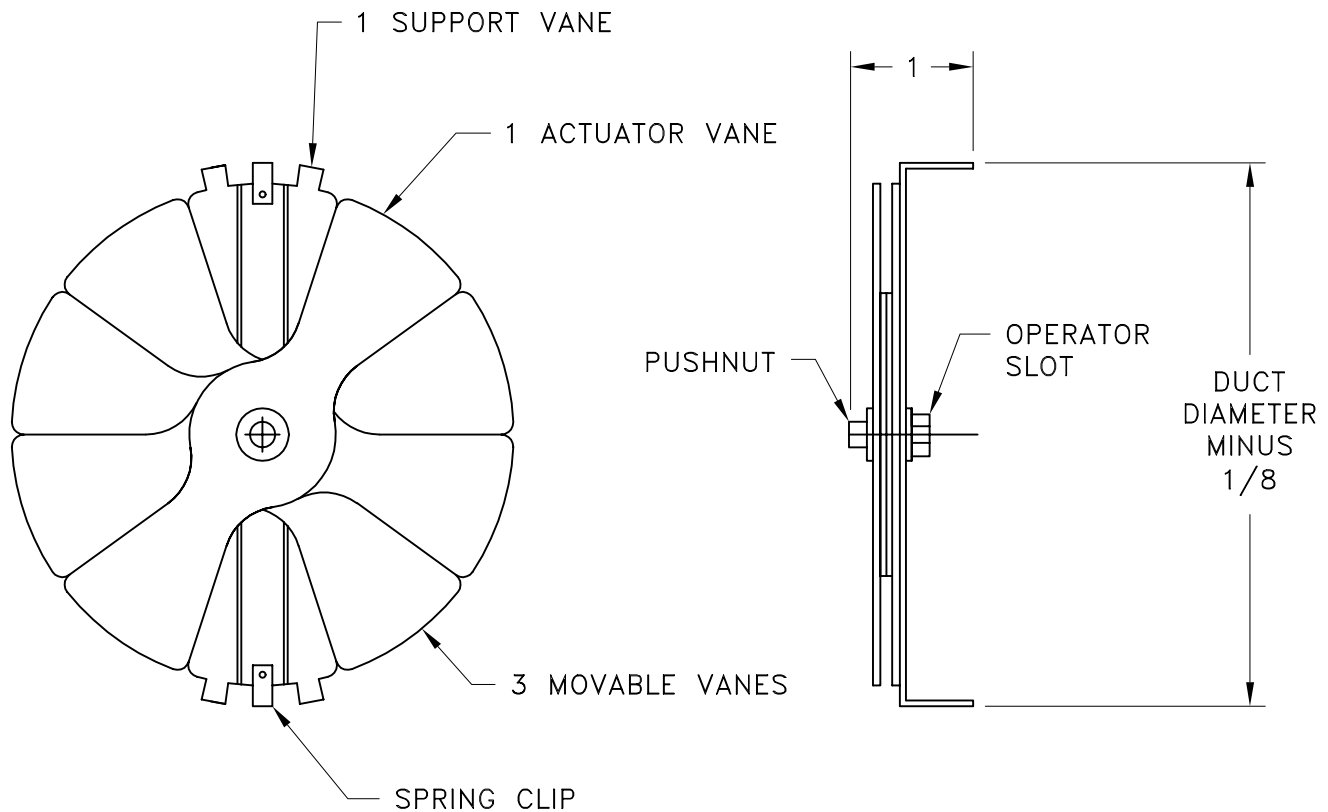


MODEL R-42

RADIAL BLADE DAMPER

STANDARD INDUSTRY TOLERANCES APPLY. SPECIFICATIONS SUBJECT TO CHANGE WITHOUT NOTICE.



Model R-42 dampers feature gang operated radial blades that move in right angles to the air flow to regulate air volume. A flat configuration with no adapter ring enables the damper to be mounted flush with the neck of diffuser. Adjustments are easily made from the face of the diffuser with a screwdriver. Available in 6", 8", 10", 12" and 14". Steel construction. Mill Finish.

PROJECT: _____
 ARCHITECT: _____
 ENGINEER: _____
 CONTRACTOR: _____
 LOCATION: _____



J&J REGISTER
 AIR DISTRIBUTION PRODUCTS