

CEILING RADIATION DAMPERS

MODEL 55

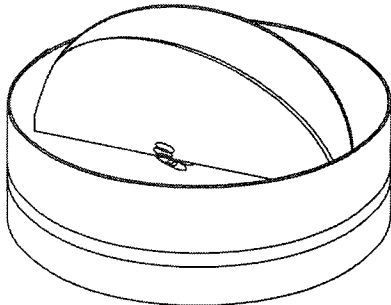
U.L. Classified

3 Hour Rating

type

CRD

"ROUND"

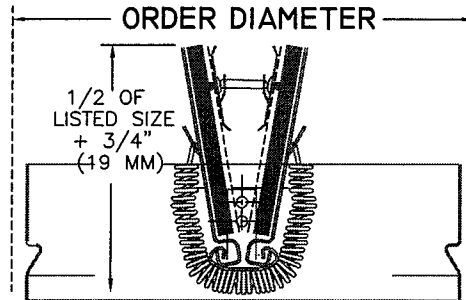


CRD 55

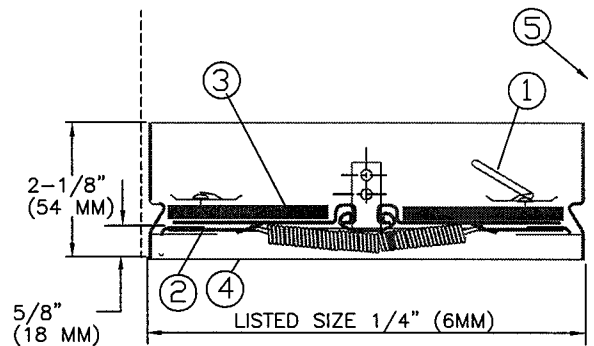
1. UL LISTED LINK (165°F STANDARD)
2. BLADES 22 (.853mm) GA. GALV. STEEL
3. CERAMIC FIBER WITH FIBERGLASS COVER*
4. ROLLFORMED FRAME 22 (.853 MM) GA. GALV. STEEL
5. STEEL DUCT DROP (BY OTHERS).

NOTES:

1. MAXIMUM SIZE 24" DIA. (600mm) .
MINIMUM SIZE 4" DIA. (100mm).
2. AVAILABLE IN STAINLESS STEEL
3. *CERAMIC INSULATION IS NOT UL REQUIRED ON DAMPERS WITH AREAS LESS THAN 80 SQUARE INCHES AND IS OPTIONAL. DAMPERS ABOVE 80 SQUARE INCHES WILL BE PROVIDED WITH BLADE INSULATION.

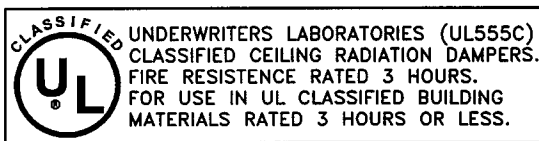


CRD SHOWN IN OPEN POSITION



CRD SHOWN IN CLOSED POSITION

LOOK FOR THESE LABELS



JOB NAME: _____

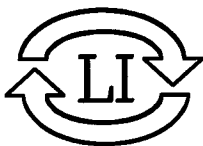
LOCATION: _____

ARCHITECT: _____

ENGINEER: _____

CONTRACTOR: _____

CLLOYD-22-REV-C



LLOYD INDUSTRIES INC.

231 COMMERCE DRIVE
MONTGOMERYVILLE, PA. 18936
TEL: 215-412-4445
FAX: 215-412-4409
EMAIL: LLOYDIND@FIREDAMPER.COM

5858 BROADWAY AVE.
JACKSONVILLE, FL. 32254
TEL: 904-378-8440
FAX: 904-378-8441
EMAIL: LLOYDINDI@BELLSOUTH.NET

WEB SITE: FIREDAMPER.COM