

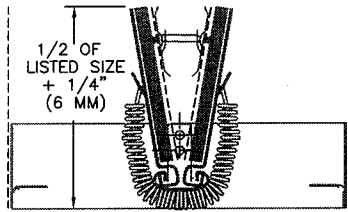
# CEILING RADIATION DAMPERS

## MODEL 50

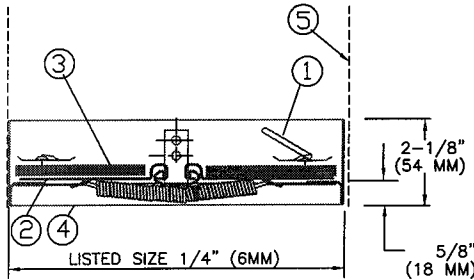
UL Classified  
3 Hour Rating

## type CRD

"RECTANGULAR"



CRD SHOWN IN OPEN POSITION

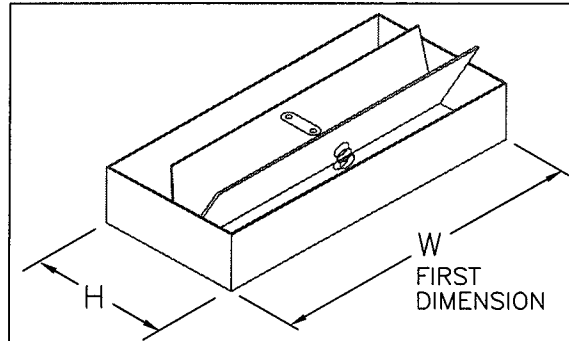


CRD SHOWN IN CLOSED POSITION

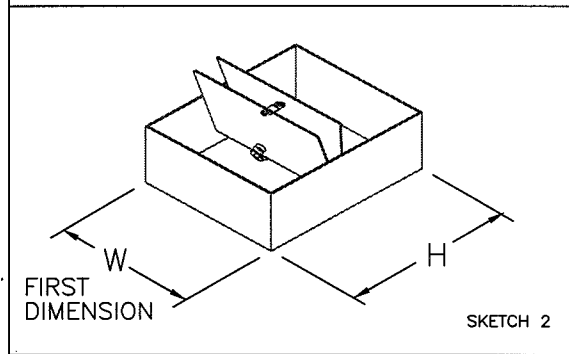
1. UL LISTED LINK (165°F STANDARD)
2. BLADES 22 (.853mm) GA. GALV. STEEL
3. CERAMIC FIBER WITH FIBERGLASS COVER\*
4. ROLL-FORMED FRAME 22 (.853 MM) GA. GALV. STEEL
5. STEEL DUCT DROP (BY OTHERS).

NOTES:

1. MAXIMUM SIZE 24" X 24" (600mm x 600mm).  
MINIMUM SIZE 4" X 4" (101mm X 101mm).
2. AVAILABLE IN STAINLESS STEEL
3. MANUFACTURED WITH BLADE OPENING AS PER SKETCH #1:  
WHEN "W" IS EQUAL TO OR GREATER THAN 6"
4. MANUFACTURED WITH BLADE OPENING AS PER SKETCH #2:  
WHEN "W" IS LESS THAN 6" AND "H" IS GREATER THAN "W".
5. \*CERAMIC INSULATION IS NOT UL REQUIRED  
ON DAMPERS WITH AREAS LESS THAN  
80 SQUARE INCHES AND IS OPTIONAL.  
DAMPERS ABOVE 80 SQUARE INCHES  
WILL BE PROVIDED WITH BLADE INSULATION.



SKETCH 1



SKETCH 2

CRD 50

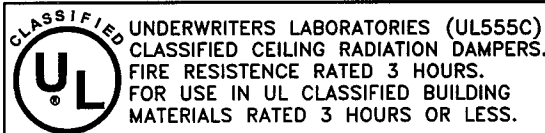
NOTE:

FIRST DIMENSION IS ALWAYS THE HINGE LENGTH

EXAMPLE:

A 12 x 6 CRD 50 HAS A 12" (W) LONG HINGED LENGTH

LOOK FOR THESE LABELS



JOB NAME: \_\_\_\_\_

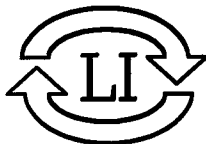
LOCATION: \_\_\_\_\_

ARCHITECT: \_\_\_\_\_

ENGINEER: \_\_\_\_\_

CONTRACTOR: \_\_\_\_\_

10325-REV-A



# LLOYD INDUSTRIES INC.

231 COMMERCE DRIVE  
MONTGOMERYVILLE, PA. 18936  
TEL: 215-412-4445  
FAX: 215-412-4409  
EMAIL: LLOYDIND@FIREDAMPER.COM

5858 BROADWAY AVE.  
JACKSONVILLE, FL. 32254  
TEL: 904-378-8440  
FAX: 904-378-8441  
EMAIL: LLOYDINDI@BELLSOUTH.NET

WEB SITE: FIREDAMPER.COM