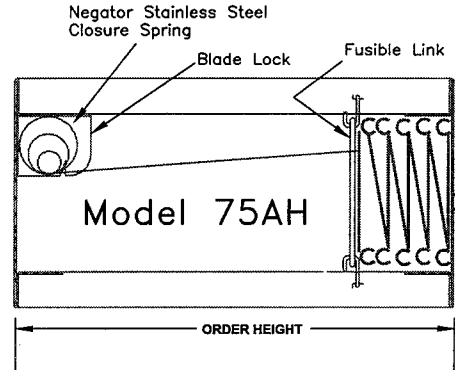
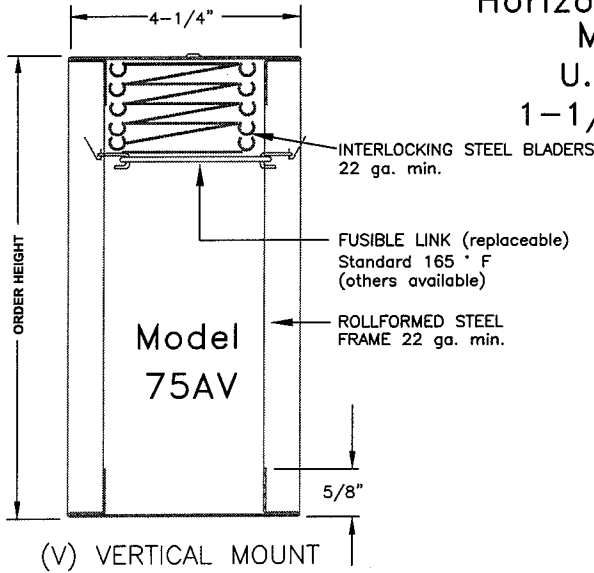


FIRE DAMPERS

Horizontal & Vertical
Model 75

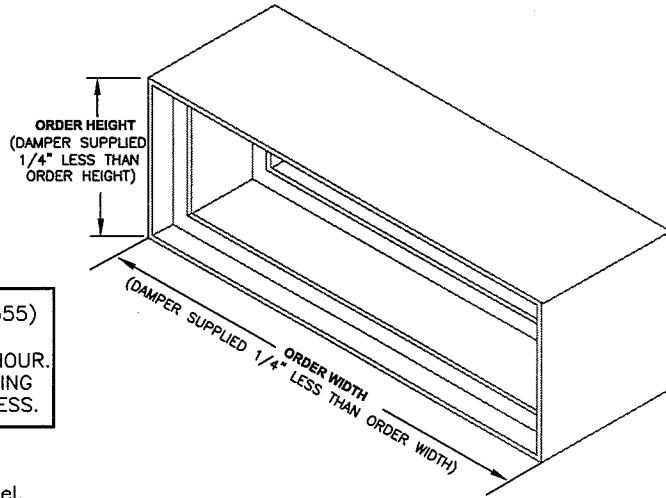
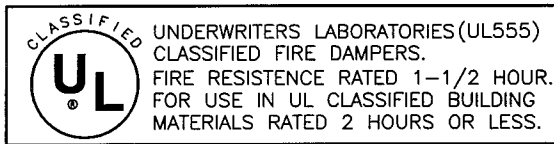
U.L. Classified
1-1/2 Hour Rating

type
A



(H) HORIZONTAL MOUNT
HORIZONTAL MOUNTING MODEL INCLUDES
STAINLESS STEEL NEGATOR SPRINGS AND BLADE LOCKS

LOOK FOR THESE LABELS



Damper Model with Blades "In Air Stream".
Standard construction material galvanized steel.
Dampers supplied 1/4" less than Order Width and Height.

	SINGLE SECTION SIZE AVAILABILITY			
	VERTICAL WIDTH X HEIGHT		HORIZONTAL WIDTH X HEIGHT	
MINIMUM	4"	4"	4"	4"
MAXIMUM	60"	60"	60"	60"
MULTIPLE SECTION	120"	120"	120"	120"

JOB NAME: _____

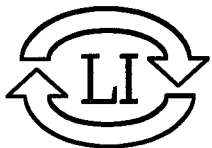
LOCATION: _____

ARCHITECT: _____

ENGINEER: _____

CONTRACTOR: _____

CLLOYD-2-REV-C



LLOYD INDUSTRIES INC.

231 COMMERCE DRIVE
MONTGOMERYVILLE, PA. 18936
TEL: 215-412-4445
FAX: 215-412-4409
EMAIL: LLOYDIND@FIRE DAMPER.COM

5858 BROADWAY AVE.
JACKSONVILLE, FL. 32254
TEL: 904-378-8440
FAX: 904-378-8441
EMAIL: LLOYDINDI@BELLSOUTH.NET

WEB SITE: FIRE DAMPER.COM