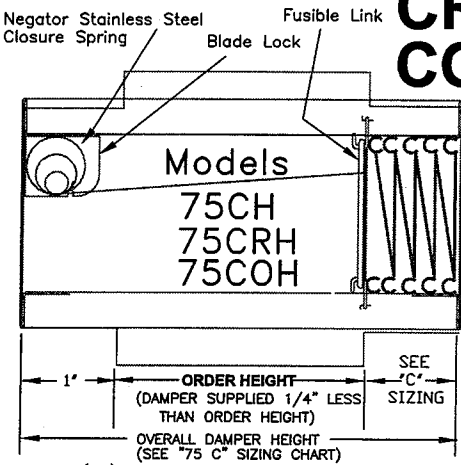
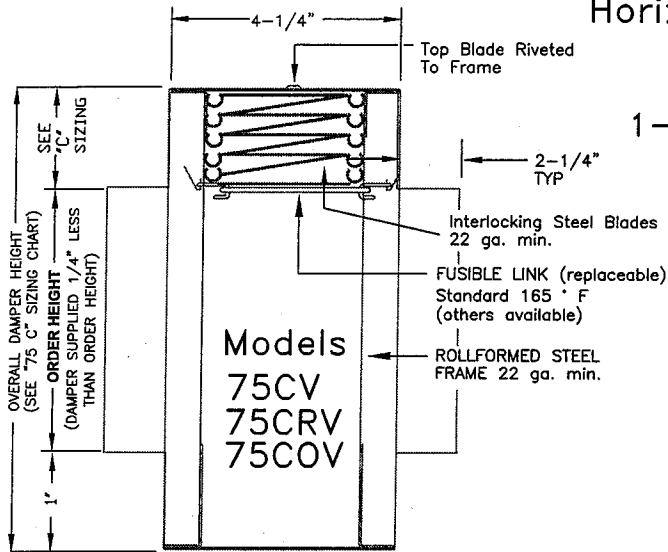


FIRE DAMPERS

Horizontal & Vertical type
Model 75

U.L. Classified
1-1/2 Hour Rating

**C
CR
CO**

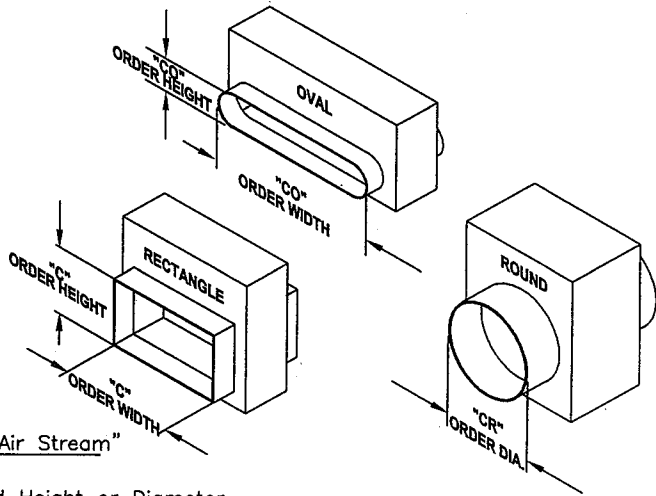
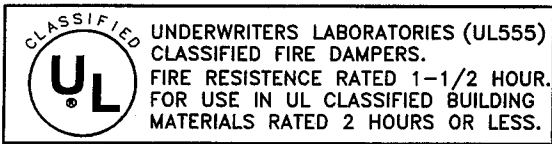


(V) VERTICAL MOUNT

(H) HORIZONTAL MOUNT

LOOK FOR THESE LABELS

HORIZONTAL MOUNTING MODEL INCLUDES
STAINLESS STEEL NEGATOR SPRING AND BLADE LOCKS

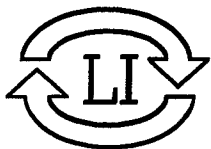


Highest Air Flow Efficiency for Curtain Dampers
Damper Models with Blades and Frames "Out of Air Stream"
Material Standard construction galvanized steel.
Dampers supplied 1/4" less than order Width and Height or Diameter.

	SINGLE SECTION SIZE AVAILABILITY			
	VERTICAL		HORIZONTAL	
	WIDTH X HEIGHT		WIDTH X HEIGHT	
MAXIMUM SECTION	60"	60"	60"	60"
MAXIMUM DUCT SIZE	120"	120"	60"	60"
MINIMUM ϕ	3" ϕ		3" ϕ	
MAXIMUM ϕ	52" ϕ		52" ϕ	

JOB NAME: _____
 LOCATION: _____
 ARCHITECT: _____
 ENGINEER: _____
 CONTRACTOR: _____

CLLOYD-4-REV-C



LLOYD INDUSTRIES INC.

231 COMMERCE DRIVE
 MONTGOMERYVILLE, PA. 18936
 TEL: 215-412-4445
 FAX: 215-412-4409
 EMAIL: LLOYDIND@FIREDAMPER.COM

5858 BROADWAY AVE.
 JACKSONVILLE, FL. 32254
 TEL: 904-378-8440
 FAX: 904-378-8441
 EMAIL: LLOYDINDI@BELLSOUTH.NET

WEB SITE: FIREDAMPER.COM