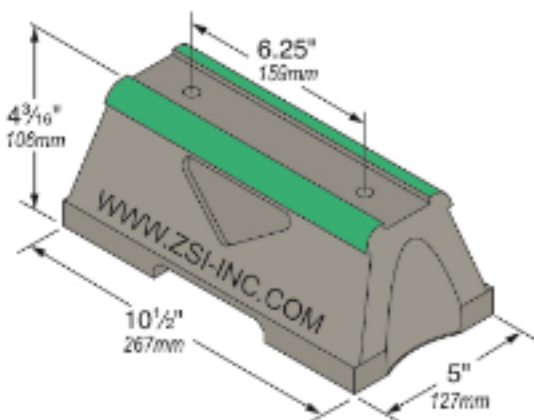




Cush-A-Block® Rooftop Supports

CBN Series

Plain Base



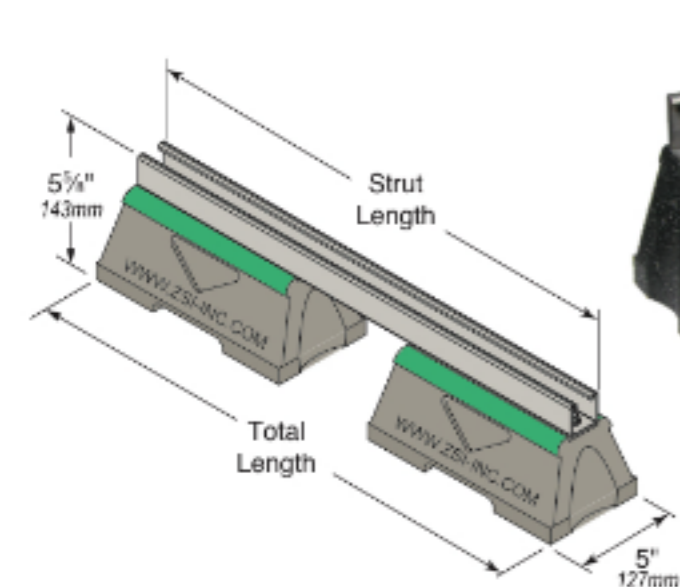
The CBN-Base Rooftop Support is UV resistant and suitable for installation on most types of roofing material or other flat surfaces. Can be used as a curb (sleeper) replacement. Screw fasteners can be used to attach one or two hole pipe straps or a piece of strut (not included).

| CBN-Base Series | | |
|-----------------|------------------|-------------------------------|
| Part No. | Weight | Uniform Load Capacity (Lbs) * |
| CBN | 3.2 lbs. (1.4Kg) | 2,500 * (11.12 kN) |

* This load is only for the capacity of the components in this assembly. Please consult roofing manufacturer or engineer for roof load capacity.

CBN-BR Bridge Series

Support With Channel



Like all of the Cush-A-Block supports, the CBN-BR Bridge Rooftop Supports are perfect for supporting natural gas and refrigeration piping systems, cable tray, electrical conduit, multiple lines, HVAC equipment and many other applications.

The CBN-BR Series provides a longer mounting surface with strut lengths up to 60". Custom lengths are available upon request.

Standard strut mount pipe clamps are used to secure the pipes.

| CBN-CB-Bridge Series | | | | |
|---|--------------|----------------|--------------|-------------------------------|
| Bridge Length Supports with 2 CBN Bases and Strut | | | | |
| Part No. | Strut Length | Total Length | Weight (Lbs) | Uniform Load Capacity (Lbs) * |
| CBN28BR | 28" (711mm) | 29.18" (741mm) | 10.8 (4.8Kg) | 1,491* (6.63 kN) |
| CBN36BR | 36" (914mm) | 37.18" (944mm) | 12.0 (5.4Kg) | 1,160* (5.15 kN) |
| CBN42BR | 42" (1m) | 43.18" (1.1m) | 12.9 (5.8Kg) | 994* (4.42 kN) |
| CBN50BR | 50" (1.2m) | 51.18" (1.3m) | 14.1 (6.4Kg) | 835* (3.71 kN) |
| CBN60BR | 60" (1.5m) | 61.18" (1.6m) | 15.8 (7.1Kg) | 696* (3.09 kN) |

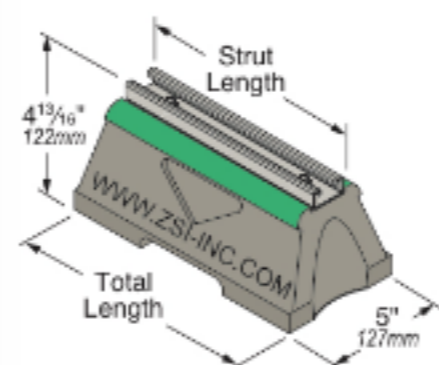
* This load is only for the capacity of the components in this assembly. Please consult roofing manufacturer or engineer for roof load capacity.

Cush-A-Block® Rooftop Supports

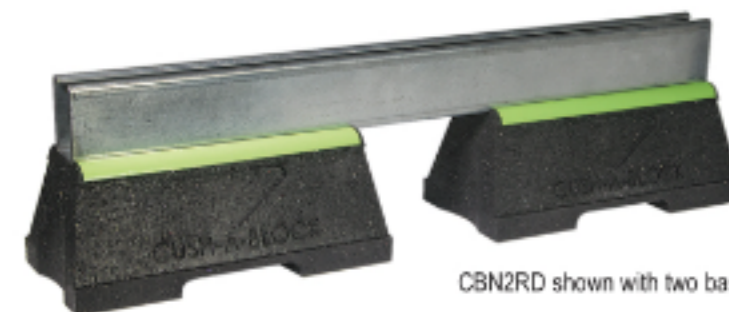
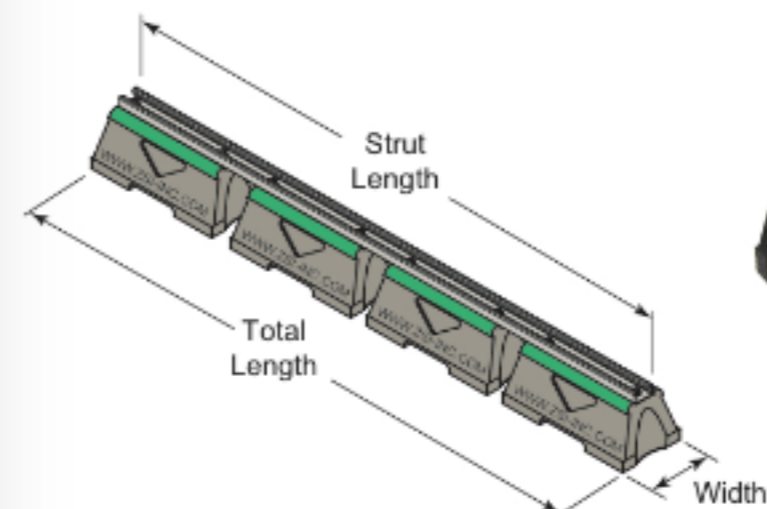


CBN Series

Support With Metal Channel



Shown with 1 1/2" Strut



CBN2RD shown with two bases

The CBN Series provides a longer mounting surface with strut lengths up to 46.82". Custom lengths are available upon request

| Part No. | No. of Bases | Height | Strut Length | Total Length | Weight (Lbs) | Uniform Load Capacity (Lbs) * |
|--|--------------|-----------------|----------------|-----------------|---------------|-------------------------------|
| CBN-Support With 1 1/2" (21mm) Pre-Galv. Steel Channel | | | | | | |
| CBN1S | 1 | 4-3/16" (122mm) | 9.32" (237mm) | 10-1/2" (267mm) | 4.0 (1.8Kg) | 2,500 * (11.12 kN) |
| CBN2S | 2 | | 22.82" (580mm) | 24" (610mm) | 8.4 (3.8Kg) | 5,000 * (22.24 kN) |
| CBN3S | 3 | | 34.82" (884mm) | 36" (914mm) | 12.6 (5.7Kg) | 7,500 * (33.35 kN) |
| CBN4S | 4 | | 46.82" (1.2m) | 48" (1.2m) | 16.9 (7.6Kg) | 10,000 * (44.48 kN) |
| CBN-Support With 1 3/4" (41mm) Pre-Galv. Steel Channel | | | | | | |
| CBN1D | 1 | 5-1/4" (143mm) | 9.32" (237mm) | 10-1/2" (267mm) | 4.7 (2.1Kg) | 2,500 * (11.12 kN) |
| CBN2D | 2 | | 22.82" (580mm) | 24" (610mm) | 9.9 (4.5Kg) | 5,000 * (22.24 kN) |
| CBN3D | 3 | | 34.82" (884mm) | 36" (914mm) | 15.0 (6.8Kg) | 7,500 * (33.35 kN) |
| CBN4D | 4 | | 46.82" (1.2m) | 48" (1.2m) | 20.0 (9.1Kg) | 10,000 * (44.48 kN) |
| CBN Support With 2-3/16" (62mm) Pre-Galv. Steel Channel | | | | | | |
| CBN1RD | 1 | 6-3/16" (164mm) | 9.32" (237mm) | 10-1/2" (267mm) | 5.1 (2.3Kg) | 2,500 * (11.12 kN) |
| CBN2RD | 2 | | 22.82" (580mm) | 24" (610mm) | 10.9 (5.0Kg) | 5,000 * (22.24 kN) |
| CBN3RD | 3 | | 34.82" (884mm) | 36" (914mm) | 16.6 (7.5Kg) | 7,500 * (33.35 kN) |
| CBN4RD | 4 | | 46.82" (1.2m) | 48" (1.2m) | 22.2 (10.1Kg) | 10,000 * (44.48 kN) |

* This load is only for the capacity of the components in this assembly. Please consult roofing manufacturer or engineer for roof load capacity.