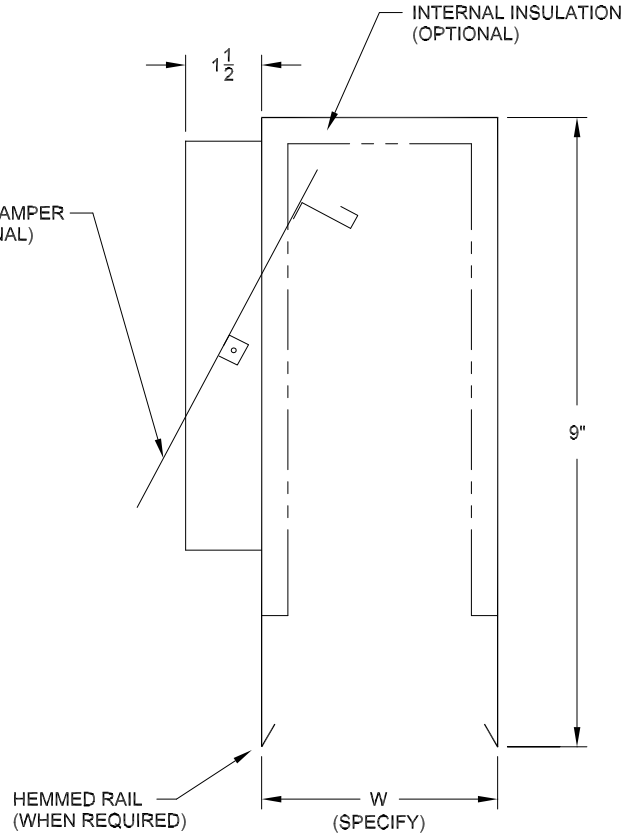
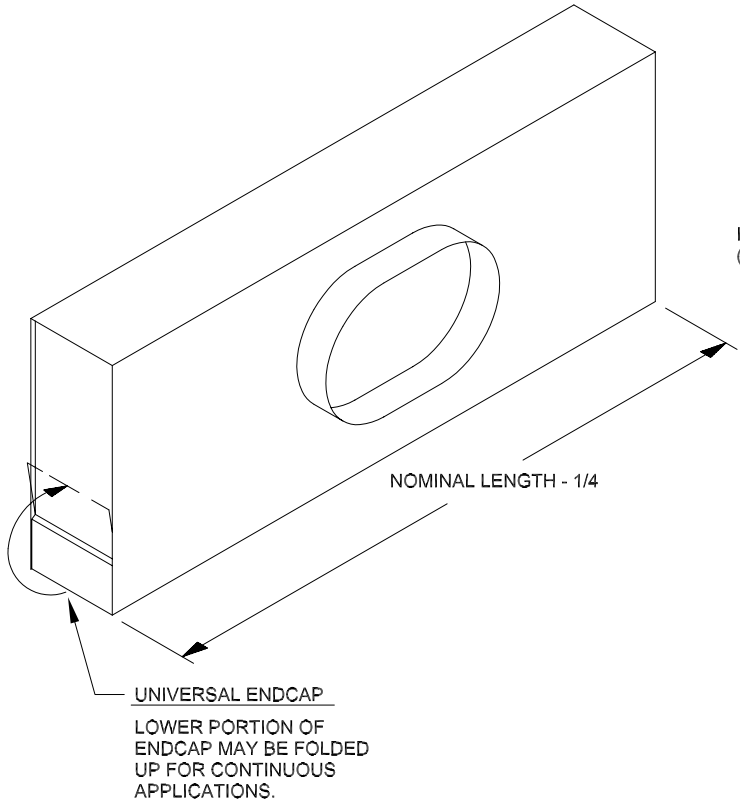


# AIR DISTRIBUTION SUBMITTAL



## FEATURES

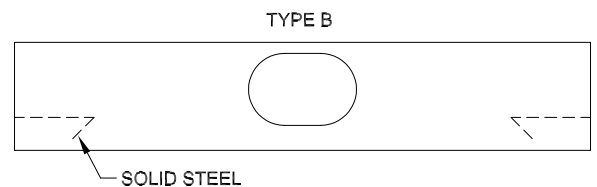
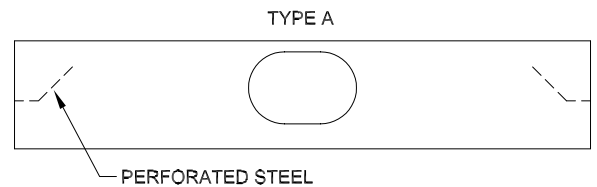
- MATERIAL: 24 GAUGE GALVANNEALED STEEL.
- WIDTHS AVAILABLE TO FIT DIFFUSERS 1, 2, 3 OR 4 SLOTS.
- AVAILABLE IN NOMINAL LENGTHS FROM 24 TO 72 INCH.
- INLET SIZES: 5, 6, 7, 8, 10, 12 INCH OVALS.
- OPTIONAL PERFORMANCE BAFFLES IMPROVE COMFORT IN SHORT THROW APPLICATIONS BY WIDENING THE SPREAD OF THE DISCHARGE AIR.

SPECIFY LINEAR DIFFUSER MANUFACTURER AND FRAME STYLE:

## OPTIONS (SPECIFY)

- SDP-N NON-INSULATED
- SDP-L INTERNALLY INSULATED
- TYPE A PERFORATED STEEL BAFFLE
- TYPE B SOLID STEEL BAFFLE
- \_\_\_ NOMINAL LENGTH
- \_\_\_ NUMBER OF SLOTS OR "W" DIMENSION
- \_\_\_ INLET SIZE

## PERFORMANCE BAFFLE (OPTIONAL)



STANDARD INDUSTRY TOLERANCES APPLY. SPECIFICATIONS ARE SUBJECT TO CHANGE WITHOUT NOTICE.

JOB NAME: \_\_\_\_\_  
 LOCATION: \_\_\_\_\_  
 ARCHITECT: \_\_\_\_\_  
 ENGINEER: \_\_\_\_\_  
 CONTRACTOR: \_\_\_\_\_

## SDP SERIES SHORT DISTRIBUTION PLENUMS

DRAWN BY  
RBJ

DATE  
1-25-06

DWG. NO.  
SDP

P.O. BOX 250  
 ALBION, IOWA 50005  
 PH. (641) 488-2211 FAX (641) 488-2796  
 www.raymon-hvac.com



**RAYMON**  
DONCO AIR DISTRIBUTION EQUIPMENT