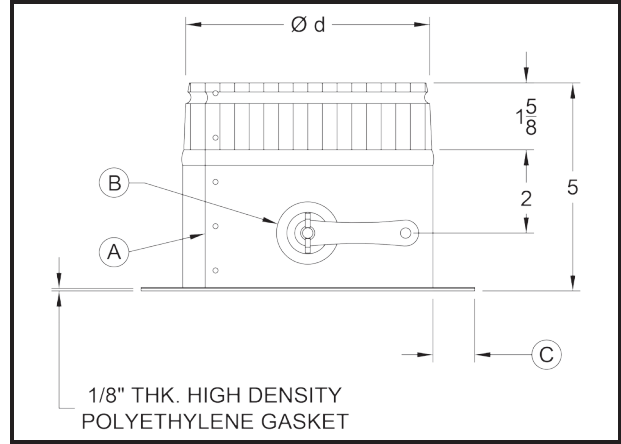


Spun Press-On Collar



Technical Data

- GSI Collars are designed and tested to surpass SMACNA Class 3 Leakage Standards.*
 - Pre-sealed with gasket made of EPDM rubber and proprietary co-polymer
 - Zero VOCs
 - Galvanized Steel (ASTM A653 and A924)
 - G-60 Galvanized Coating (ASTM A653 and ASTM A90)
 - Available in Specialty Metals:
 - G-90 Galvanized Steel
 - Pressure Rating: Designed per SMACNA Third Edition 2005 Section 4.8 Figure 4-6 Branch Connections
 - Dimensional Tolerance: $\pm 1/4"$
- A. Collars now come standard with sealed joints! The riveted seam is sealed with the GreenSeam integral gasket. Unsealed fittings are available upon request.
- B. Non-dampered collars are supplied with a 3/8" knock-out. Dampered collars are supplied with 24GA. damper blades and GSI's proprietary low-leakage hardware. See Appendix A.
- C. 7/8" flange for 4" and 5" collars. 1" flange for 6" and larger collars.

Product Availability

Size (Ød)*	Gauge Availability		Quantity	
	26 Ga.	24 Ga.	Carton	Skid
4"	Yes	-	25	300
5"	Yes	Yes	25	300
6"	Yes	Yes	20	240
7"	Yes	Yes	20	240
8"	Yes	Yes	20	240
9"	Yes	Yes	10	120
10"	Yes	Yes	10	120
12"	Yes	Yes	10	120
14"	Yes	Yes	5	60
16"	Yes	Yes	5	60
18"	Yes	Yes	5	60
20"	Yes	Yes	2	24

Dampered fittings are available with 1½" or 2" Stand-Off. See Appendix C on page 28.

Part Number Schematic

Example: **6POS15CR10GA26D38** = Spun Press-on Collar for 10" Pipe in 26Ga. Galv. Steel, with a Solid Rod Damper and 1½" Stand-Off

S Scoop (Opt.)	6 Collar Length	PO Press-On Start Collar	S15 Stand-Off S15 - 1½" S2 - 2" (Opt. on Dampers Only)	C End C - Crimped (Std.)	R Riveted	10 Collar Diameter (Ød)	GA Material GA-Galvanized (Std.)	26 Gauge GA - 26, 24	D Damper (Opt.)	C Wingate hardware 38 3/8" Solid Rod (Opt. on Dampers Only) See Appendix A on page 26.
--------------------------	---------------------------	------------------------------------	---	---------------------------------------	---------------------	-----------------------------------	---	-----------------------------------	---------------------------	---

Items in green denote available options
Check with your sales representative for availability of any size, gauge, or specialty metal item not shown here.
* Test performed on standard fittings without dampers.