



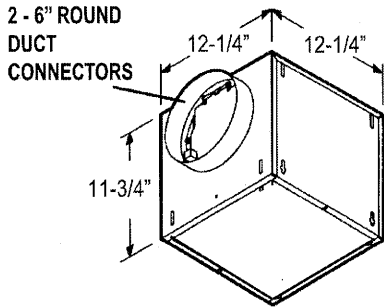
**IP [English] Dimensions**  
*SI (Metric) on Reverse Side*



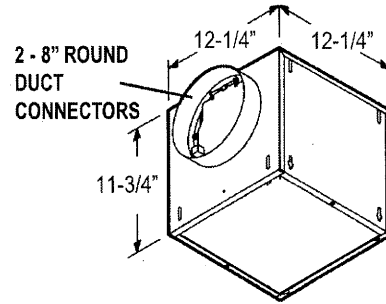
**SUBMITTAL SHEET**  
**MODELS VCDD-I**  
**IN-LINE FANS**

CARNES COMPANY, 448 S. Main St., P.O. Box 930040, Verona, WI. 53593-0040 Phone: 608/845-6411 Fax: 608/845-6470 E-Mail: carnes@carnes.com www.carnes.com

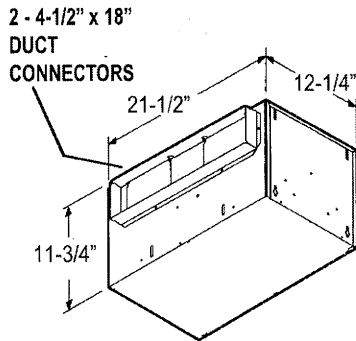
**VCDD 010I & VCDD 015I**



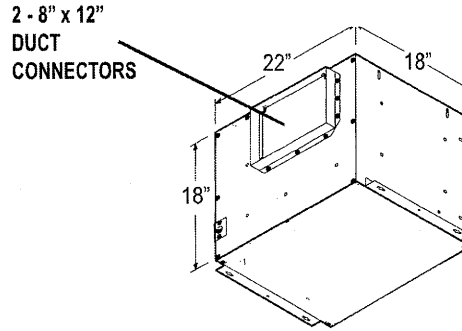
**VCDD 020I, VCDD 025I & VCDD 030I**



**VCDD 040I, VCDD 050I & VCDD 070I**



**VCDD 090I & VCDD 150I**



**STANDARD CONSTRUCTION**

- SUPER QUIET OPERATION
- HIGH PERFORMANCE BLOWERS
- REMOVABLE ACCESS PANEL
- INLET/OUTLET DUCT CONNECTIONS
- DISCHARGE DAMPER
- SIMPLIFIED INSTALLATION, UL LISTED
- DESIGNER STYLED GRILLES
- AMCA AIR & SOUND LICENSED
- UL LISTED

FAN NO. LOCATION	QTY	MODEL/SIZE	CFM	SP	FAN RPM	SONES	MOTOR			ACCESSORIES
							HP	ELECTRICAL	TYPE	

**NOTES**

PROJECT: \_\_\_\_\_ ARCHITECT: \_\_\_\_\_

CONTRACTOR: \_\_\_\_\_ DATE: \_\_\_\_\_ SUBMITTED BY: \_\_\_\_\_ ENGINEER: \_\_\_\_\_

PAGE \_\_\_\_\_ OF \_\_\_\_\_

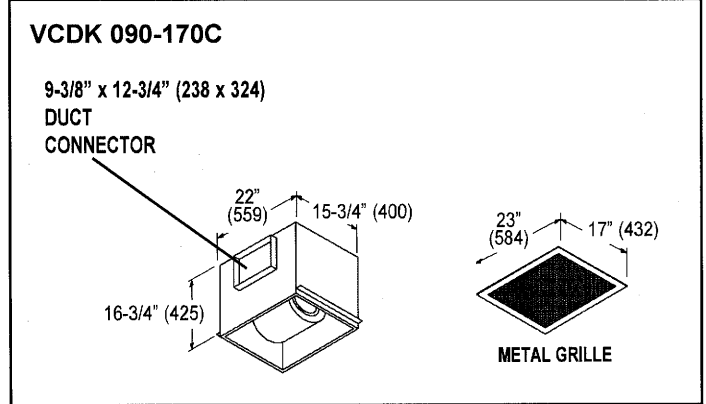
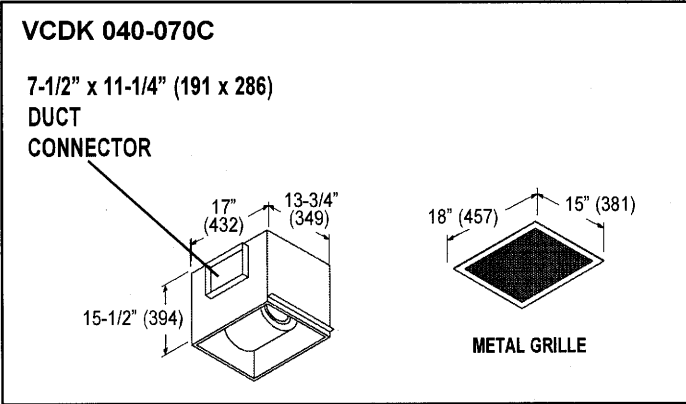


**IP [English] Dimensions  
SI (Metric) in Parentheses**



**SUBMITTAL SHEET**  
**Models VCDK 040C - 170C &**  
**VCDK 040I - 170I**  
**CEILING AND IN-LINE FANS**

CARNES COMPANY, 448 S. Main St., P.O. Box 930040, Verona, WI 53593-0040 Phone: 608.845.6411 Fax: 608.845.6470 E-Mail: carnes@carnes.com www.carnes.com



**Models VCDK 040C-070C**

- 120 VAC.
- 7-1/2" x 11-1/4" (191 x 286) duct connector.
- Low profile metal grille finished with white enamel.
- One impact resistant blower.

**Models VCDK 090C-170C**

- 120 VAC.
- 9-3/8" x 12-3/4" (238 x 324) duct connector.
- Sturdy, low profile metal grille finished with white enamel.

**Models VCDK 040I-070I**

- 120 VAC.
- Two 7-1/2" x 11-1/4" (191 x 286) duct connectors.
- Removable access panel.
- One impact resistant blower.

**Models VCDK 090I-170I**

- 120 VAC.
- Two 9-3/8" x 12-3/4" (238 x 324) duct connectors.
- Removable access panel.
- Single impact resistant blower.

FAN LOCATION	QTY	MODEL/SIZE	CFM	SP	FAN RPM	SONES	MOTOR			ACCESSORIES
							HP	ELECTRICAL	TYPE	

PROJECT:			ARCHITECT		
CONTACTOR:	DATE:	SUBMITTED BY	ENGINEER		